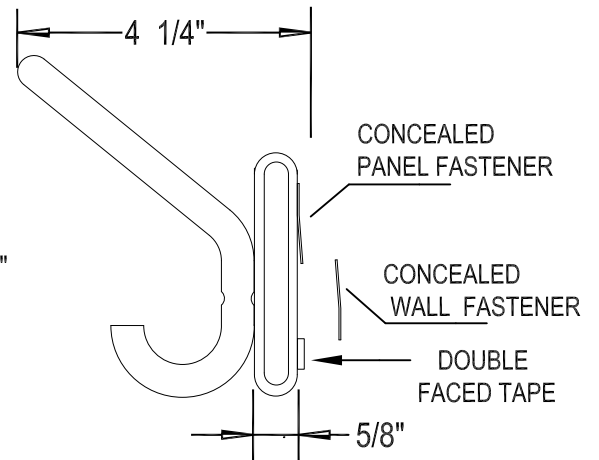
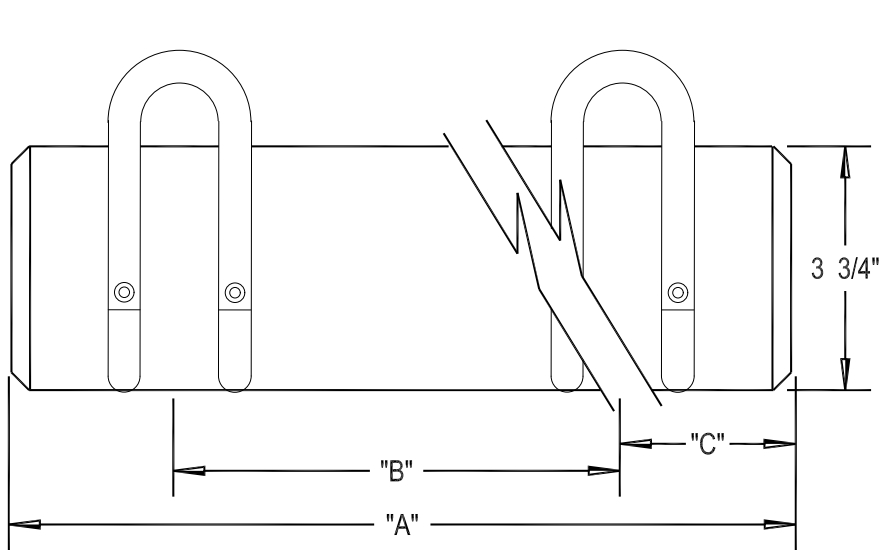


EMCO SPECIALTY PRODUCTS, INC.

408 MIAMI AVE. KANSAS CITY, KS 66105 - 913-281-4555 / FAX. 913-281-4554

M10 HOOK PANEL

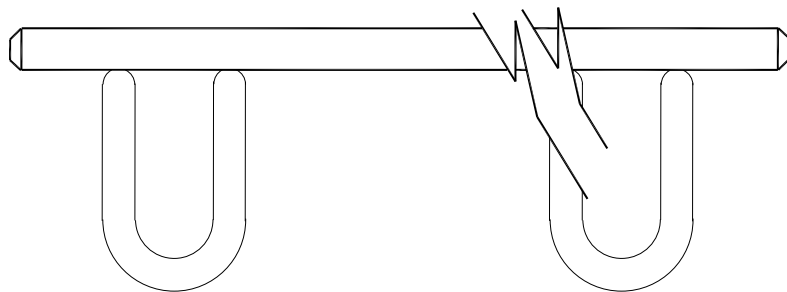


SOLID WOOD PANEL FINISHES:

- A. LIGHT OAK
- B. MEDIUM OAK
- C. WALNUT
- D. MAPLE
- E. UNFINISHED OAK

HOOKS : SOLID ALUMINUM

- A. CHROME
- B. BLACK
- C. RED
- D. YELLOW
- E. BROWN



WALL FASTENERS BY OTHERS

| QUAN. | LOCATION | LENGTH "A" | HOOKS | | OVERHANG "C" | PANEL FINISH | HOOK COLOR |
|-------|----------|---------------|-------|-----|-----------------|-----------------|---------------|
| | | | NO. | "B" | | | |
| | | | | | | | |
| | | | | | | | |
| | | | | | | | |
| | | | | | | | |

PROJECT: _____

LOCATION: _____

DISTRIBUTOR: _____

DRAWING NO: _____ DATE: _____

SHEET _____ OF _____ REVISIONS: _____