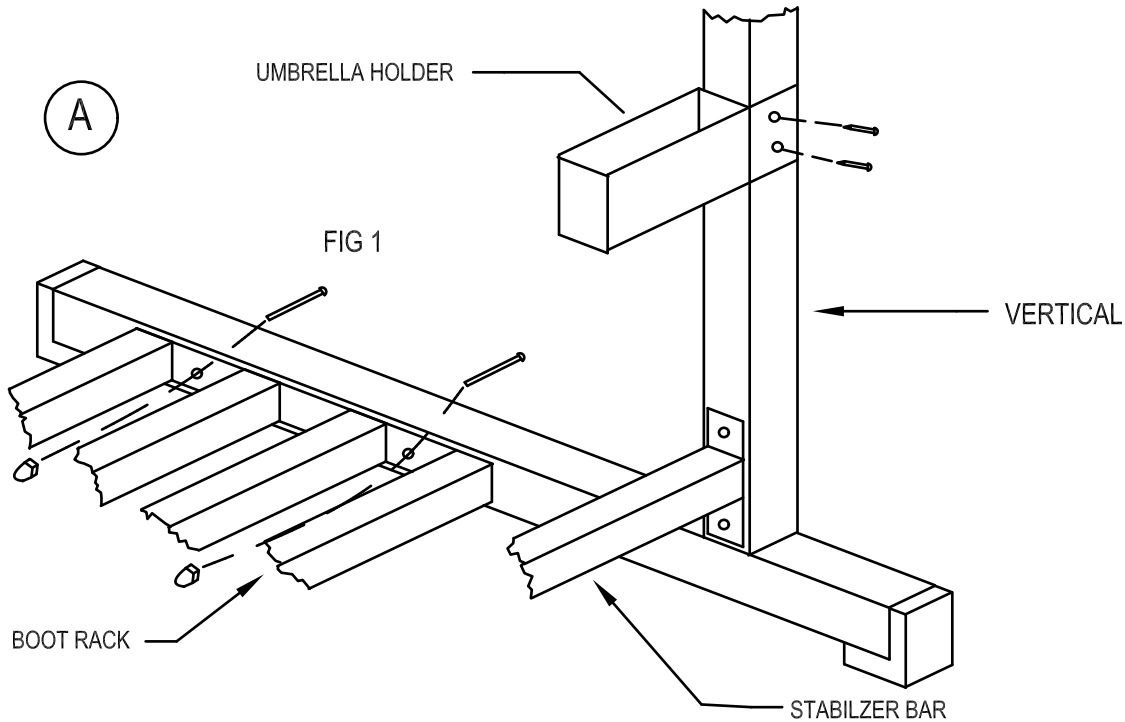


EMCO SPECIALTY PRODUCTS, INC.

408 MIAMI AVE. KANSAS CITY, KS 66105 - 913-281-4555 / FAX. 913-281-4554

MODEL #20 ASSEMBLY INSTRUCTIONS TYPE A & B ACCESSORIES



BOOT RACK

Secure boot rack to each leg as shown in FIG 1 using the #10 - 24 x 1 5/8" PRHMS screws and acorn nuts.

UMBRELLA HOLDER

The umbrella holder is mounted to the rack approximately 15" from the floor to the back of either vertical. Fasten with 2 #10x 3/4 sheet metal screws in the holes provided.

(B)

Casters are fastened to the bottom of the verticals with four #10 x 3/4 sheet metal screws.

IMPORTANT - INSTALL BOTH LOCKING CASTERS ON THE SAME VERTICAL

