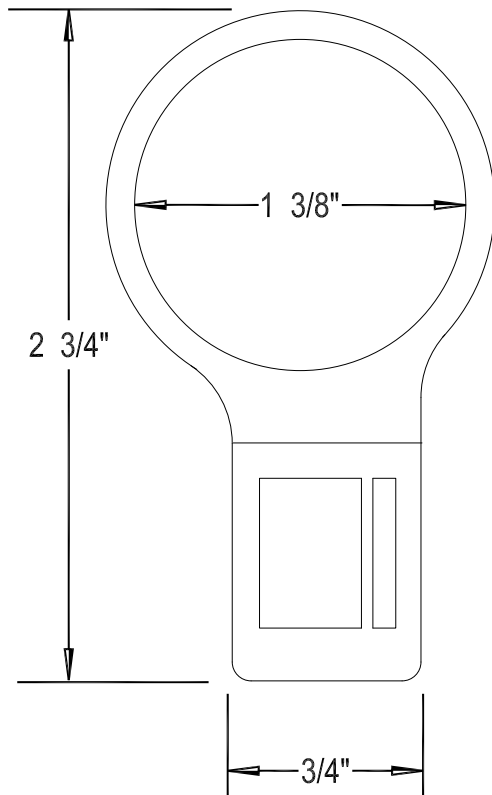


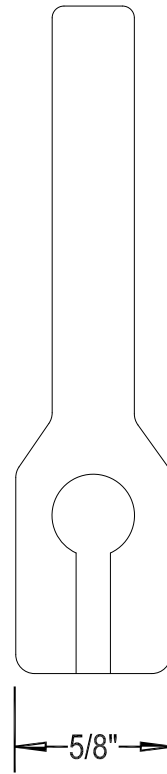
EMCO SPECIALTY PRODUCTS, INC

408 MIAMI AVE. KANSAS CITY, KS 66105 913-281-4555/FAX 913-281-4554

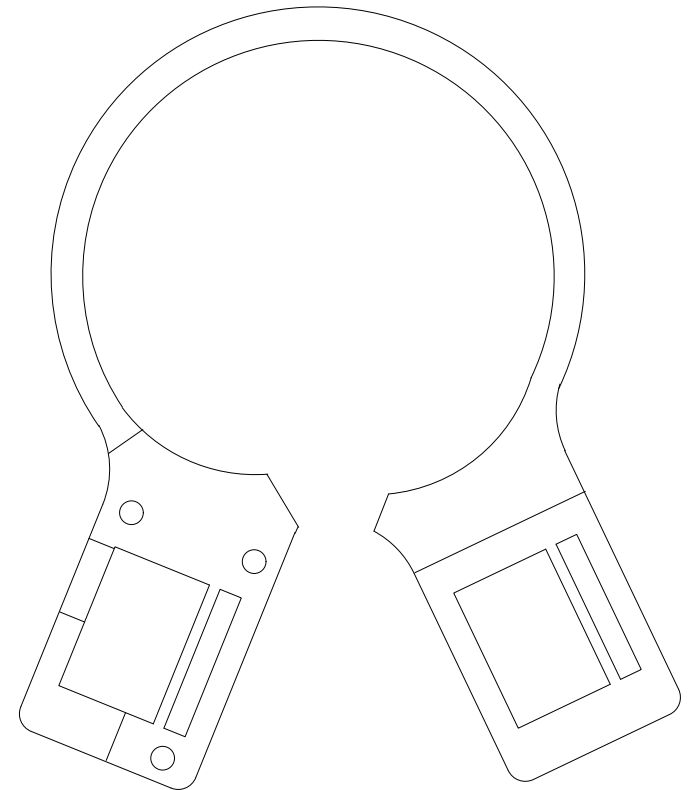
"A" RECEPTACLE



SIDE VIEW



FRONT VIEW



VIEW PRIOR TO LOCKING IN PLACE

- NOTES: A. MATERIAL BROWN MOLDED PLASTIC
B. WILL ACCOMMODATE BALL TOP HANGERS ONLY
C. DESIGNED TO BE ATTACHED AFTER ROD IS INSTALLED
OR ON EXISTING HANGER ROD.