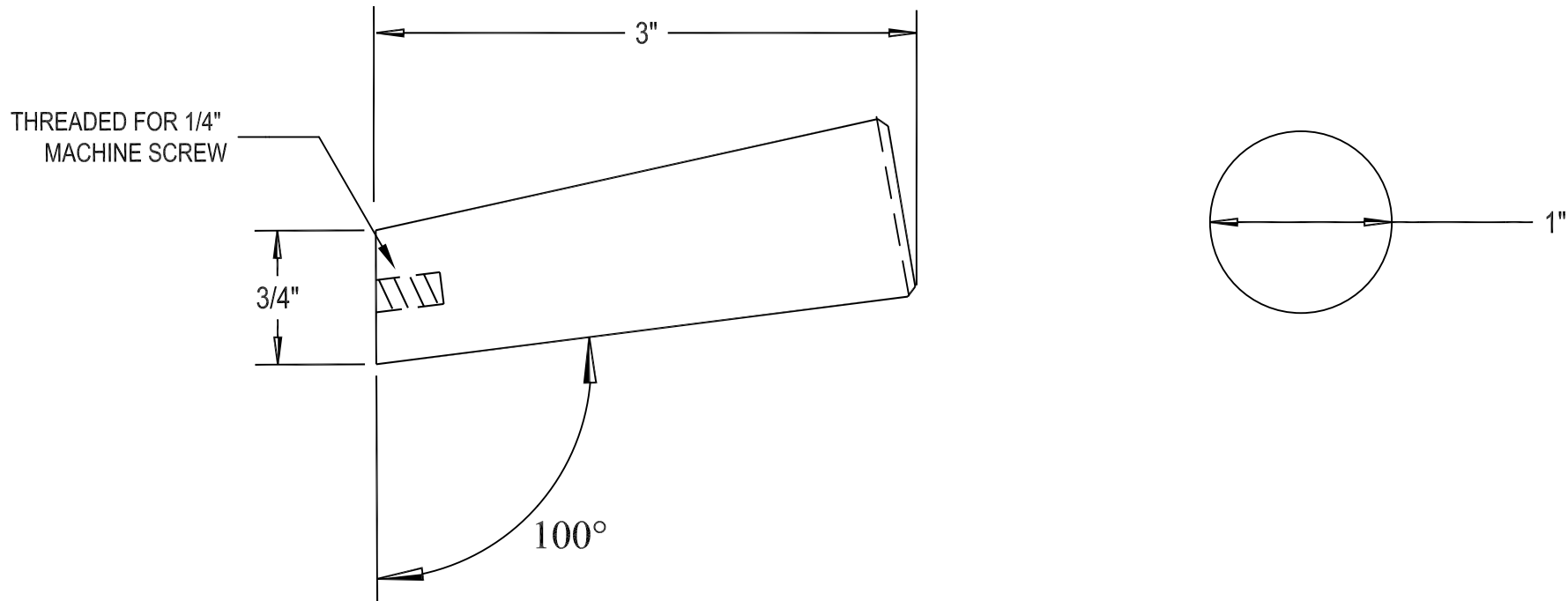


EMCO SPECIALTY PRODUCTS, INC

408 MIAMI AVE. KANSAS CITY, KS 66105 913-281-4555/FAX 913-281-4554

A17 HOOK



MATERIAL: SOLID ALUMINUM

COLOR: SILVER, BLACK