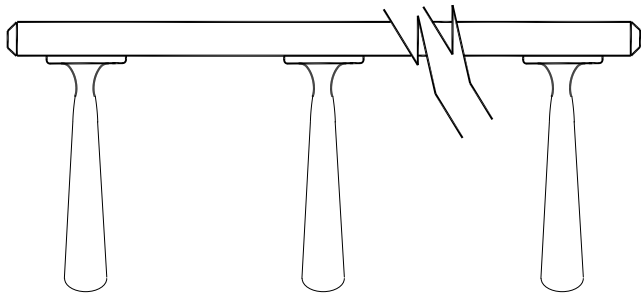
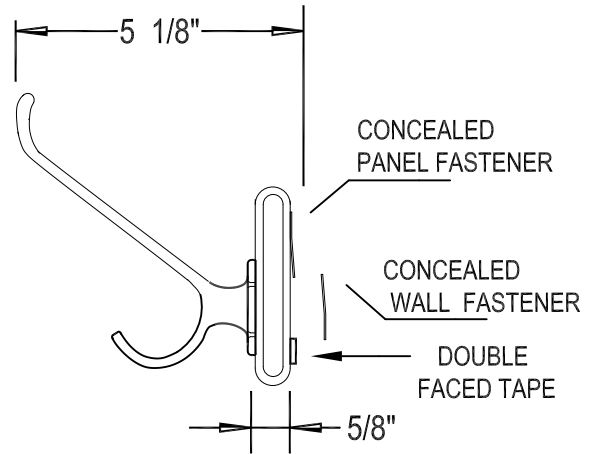
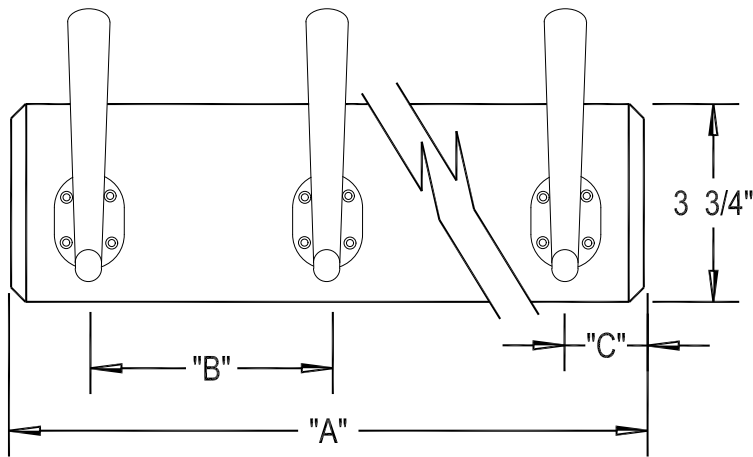


# EMCO SPECIALTY PRODUCTS, INC.

408 MIAMI AVE. KANSAS CITY, KS 66105 - 913-281-4555 / FAX. 913-281-4554

## A10 HOOK PANEL



### SOLID WOOD PANEL FINISHES:

- A. LIGHT OAK
- B. MEDIUM OAK
- C. WALNUT
- D. MAPLE
- E. UNFINISHED OAK

WALL FASTENERS BY OTHERS

HOOKS : SOLID ALUMINUM  
COLOR: SILVER

QUAN.	LOCATION	LENGTH "A"	HOOKS		OVERHANG "C"	PANEL FINISH
			NO.	"B"		

PROJECT: \_\_\_\_\_

LOCATION: \_\_\_\_\_

DISTRIBUTOR: \_\_\_\_\_

DRAWING NO: \_\_\_\_\_ DATE: \_\_\_\_\_

SHEET \_\_\_\_\_ OF \_\_\_\_\_ REVISIONS: \_\_\_\_\_