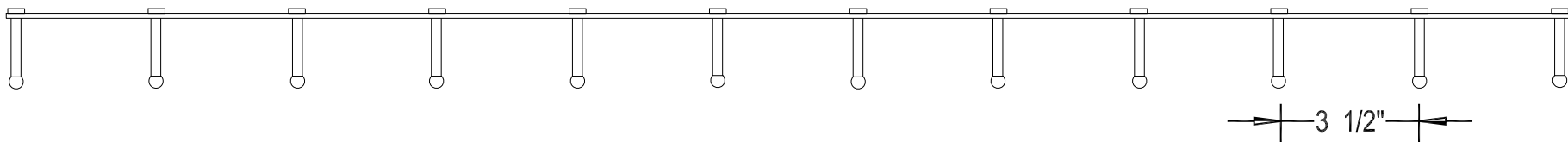
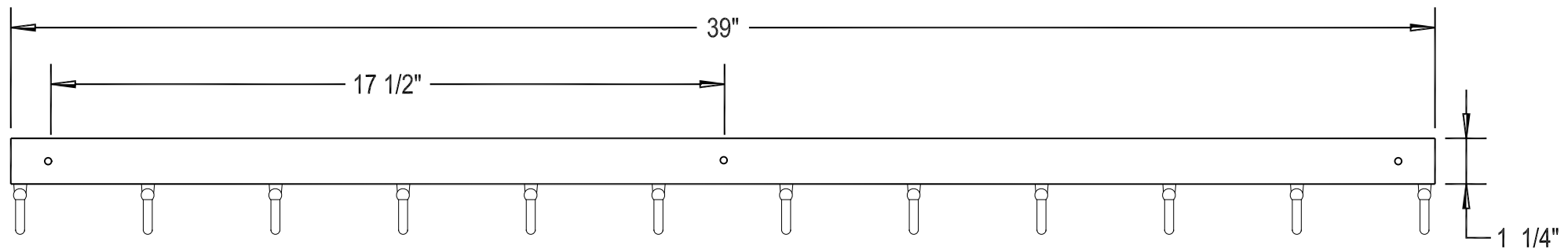


EMCO SPECIALTY PRODUCTS, INC

408 MIAMI AVE. KANSAS CITY, KS 66105 913-281-4555/FAX 913-281-4554

13U12



NOTES:

MOUNTING HOLES ON THIS UNIT ARE 17 1/2" ON CENTER

1. BRUSHED STEEL BACK PLATE

2. COLORS: NICKEL PLATED

