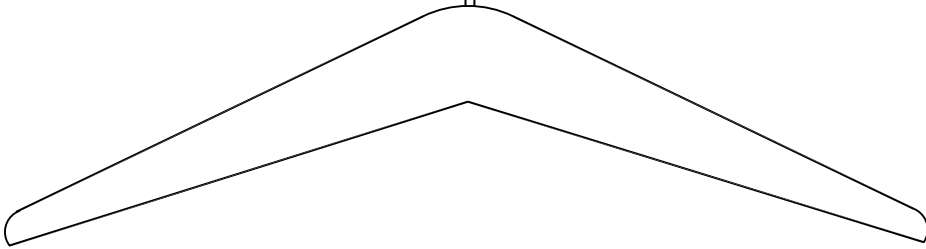
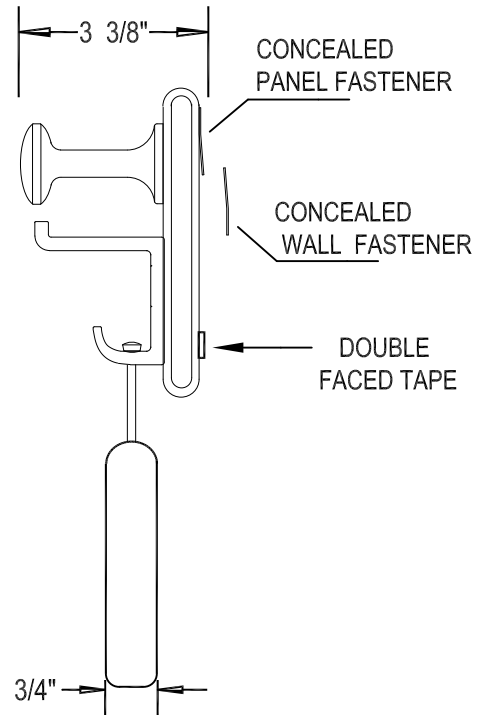
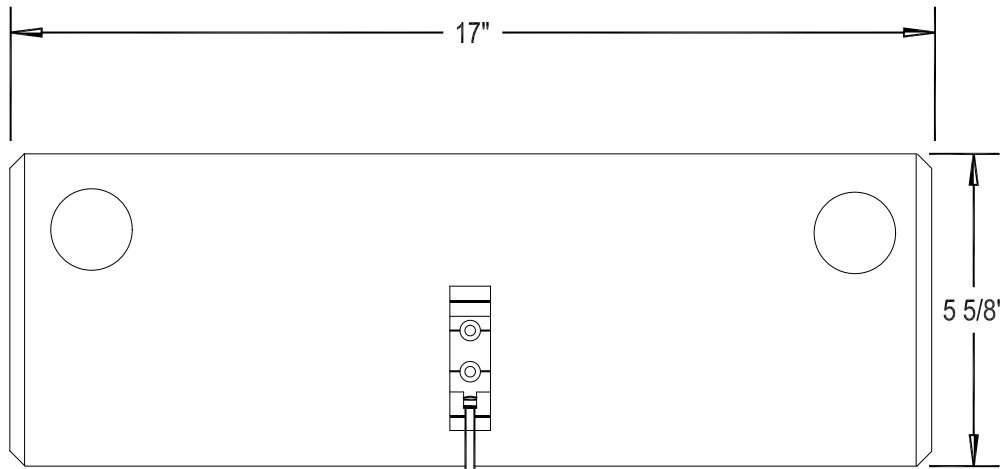


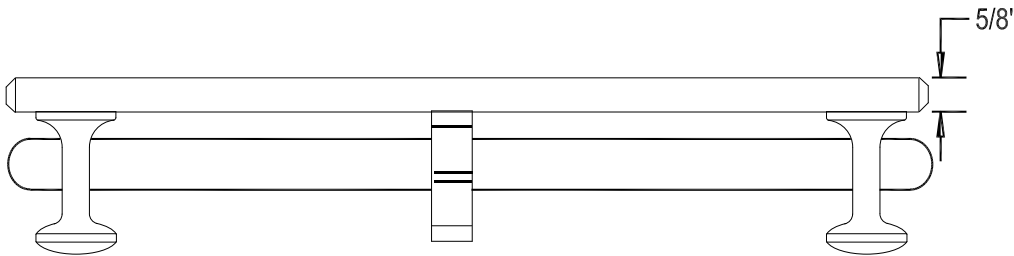
EMCO SPECIALTY PRODUCTS, INC.

408 MIAMI AVE. KANSAS CITY, KS 66105 - 913-281-4555 / FAX. 913-281-4554

13P1 HOOK PANEL



WALL FASTENERS BY OTHERS



HOOKS : SOLID ALUMINUM
A. SILVER
B. BLACK

SOLID WOOD PANEL FINISHES:
A. LIGHT OAK
B. MEDIUM OAK
C. WALNUT
D. UNFINISHED OAK

PLEASE SPECIFY:

QUANTITY REQUIRED: _____

PANEL FINISH _____

HOOK FINISH _____

PROJECT: _____

LOCATION: _____

DISTRIBUTOR: _____

DRAWING NO. : _____ DATE: _____

SHEET: _____ OF _____ REVISIONS: _____